

## THE PDP-4A MECHANISM

is engineered to retrofit directly into alternate manufacturers pump tank bodies for achieving longer product life, better start-up efficiency and heat transfer in normal running conditions.

### BENEFITS:

1. Non-electric, compression spring design.
2. No Adjustments needed in the field - Factory set for optimal performance.
3. Single durable Inconel X750 compression coil spring.
4. All internal parts are suspended from the cover and can be removed upward in one piece, for simple maintenance and repair.
5. Three year pressure energized mechanism and lifetime spring warranty.
6. Mechanism retrofits some other pressure pumps.
7. Pressure valve has free floating ball.

**CONNECTIONS:** Screwed (NPT) 1/2" Pressure, 1" Vent

**DIMENSIONS:** Nominal in inches

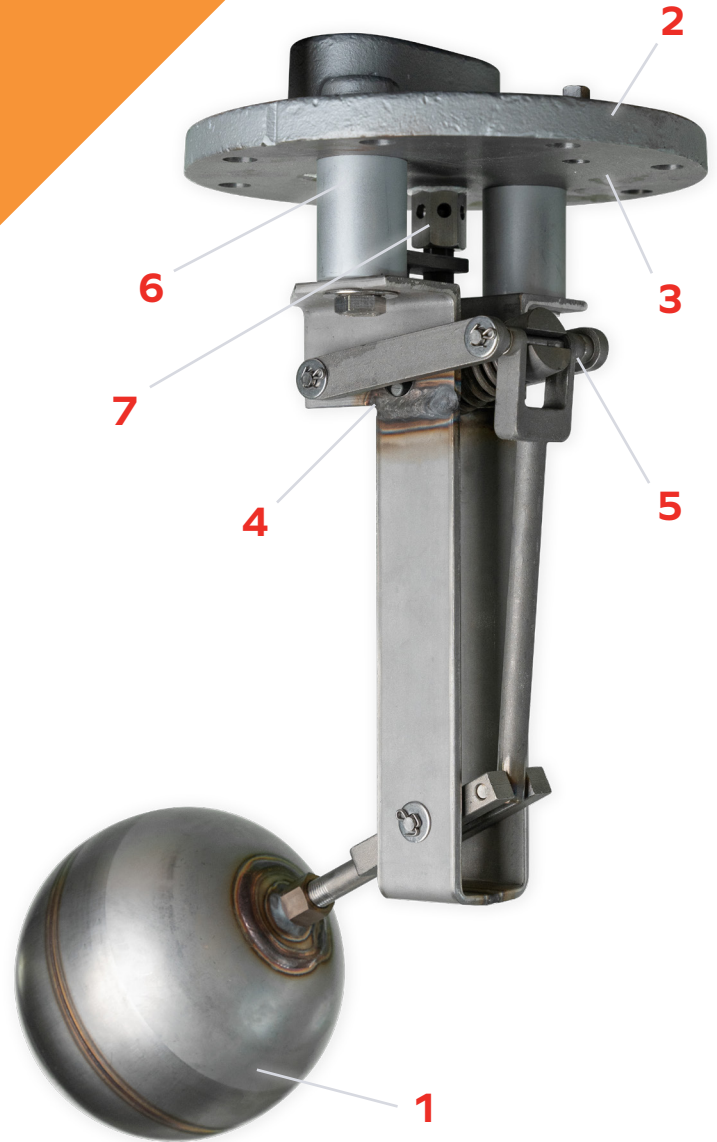
Ø D: 9" L: 18.25" Wt.: 29 lbs

### INSTALLATION:

Drop in assembly. Float end first with spring closer to the outer wall.

### MATERIAL:

| No. | Description             | Material        |                 |
|-----|-------------------------|-----------------|-----------------|
| 1   | Float                   | 304 SS          |                 |
| 2   | Cover                   | Ductile Iron    |                 |
| *3  | Cover Gasket            | GHP Graphite    |                 |
| 4   | Pressure Energized Unit | Stainless Steel |                 |
| 5   | Spring                  | Inconel         |                 |
| 6   | Pressure Valve Unit     | Intake Valve    | Stainless Steel |
|     |                         | Valve Seat      | Stainless Steel |
| 7   | Vent Unit               | Exhaust Valve   | Stainless Steel |
|     |                         | Valve Seat      | Stainless Steel |



### LIMITING CONDITIONS:

|                              |          |
|------------------------------|----------|
| PMA: Max. allowable pressure | 150 psig |
| TMA: Max. allowable temp.    | 650 °F   |
| PMO: Max. operating pressure | 150 psig |
| TMO: Max. operating temp.    | 365 °F   |

**AVAILABLE SPARES:** GHP Gasket

### RETROFITS THE FOLLOWING:

**Armstrong:** PT-400 Series

### ORDERING INFORMATION:

Visit [abfluidix.com](http://abfluidix.com)

*\*Not displayed. Placement shown  
All Dimensions in inches. weights in lbs.*